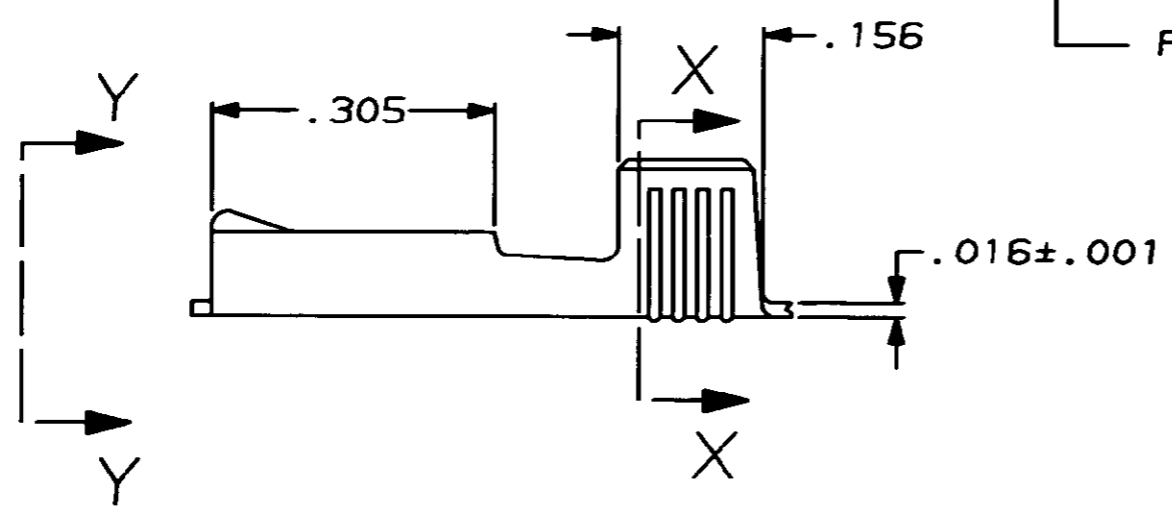
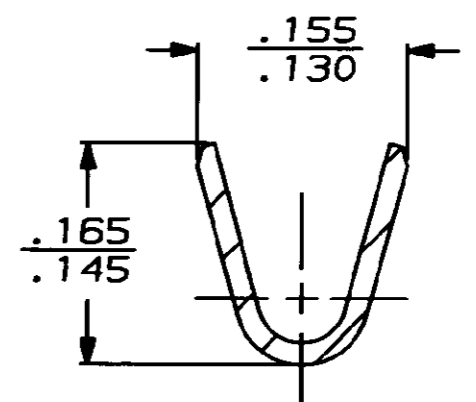
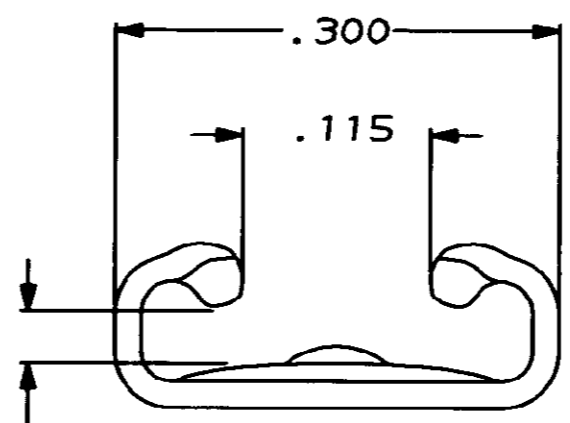
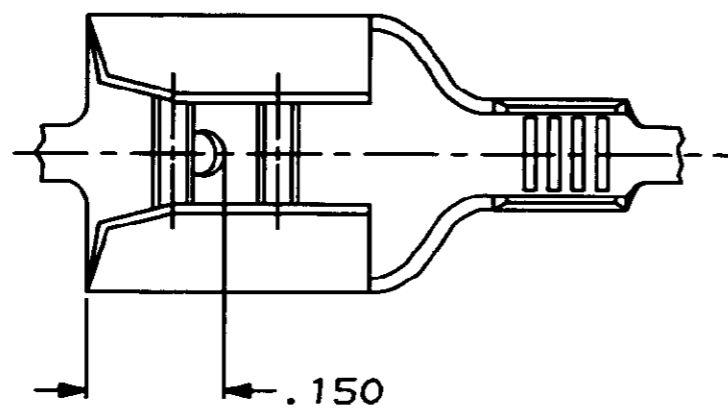


4
DRAWING MADE IN THIRD ANGLE PROJECTION
THIS DRAWING IS UNPUBLISHED. RELEASED FOR PUBLICATION , 19 .
© COPYRIGHT 19 BY AMP INCORPORATED. ALL INTERNATIONAL RIGHTS RESERVED.

LOC	DIST	P	F	ZONE	LTR	REVISIONS		DATE	APPD
AF	50				D	REVIS	AF-8271	1/7/93	JR/CM

1 CONTINUOUS STRIP ON REELS



FITS .250 SERIES
FASTON TAB
VIEW Y-Y
SCALE 8:1

SECTION X-X
SCALE 8:1

TIN .000080 MIN	18-14	.032	42845-2
			42845-1
FINISH	WIRE SIZE	MATING TAB THK ±.001	PART NO
DO NOT SCALE PRINT. UNLESS SPECIFIED DIMENSIONS ARE IN INCHES TOLERANCES ON: 2 PLC DEC ± - 3 PLC DEC ± .015 ANGLES ± -	DR 5/9/90 JR RUTH CHK 5/9/90 HS FBER APPD 5/9/90 C MEYERS APPD 5/9/90 R KUZO PRODUCT SPEC -	AMP AMP Incorporated Harrisburg, PA 17105-3608 NAME RECEPTACLE, FASTON, .250 SERIES	
MATERIAL 4M BRASS	APPLICATION SPEC -	SIZE B	CAGE CODE 00779
FINISH SEE TABLE	WEIGHT -	DRAWING NO 42845	SCALE 5:1
		SHEET 1 OF 1	